

POLES

DECORATIVE ALUMINUM POSTS

Biloxi

18 Ft

16 Ft

14 Ft

12 Ft

10 Ft

8 Ft

6 Ft

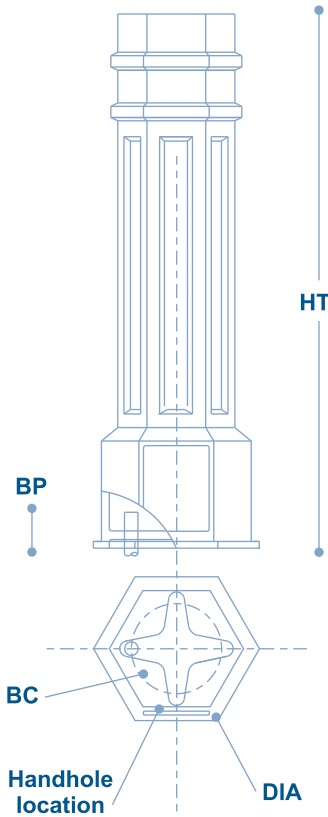
4 Ft

2 Ft



Base Dimensions & template

HT	Base Height	29-5/8"
DIA	Base Diameter	9-3/16"
BC	Bolt Circle	5"
BP	Bolt Project	1-7/8"



POLE HEIGHT	CODE
10 Ft	10
12 Ft	12
14 Ft	14
WALL THICKNESS	CODE
0.125"	A
0.188"	B
SHAFT DIAMETER	CODE
4 Inches	4

BASE STYLE	CODE	BLX
------------	------	-----

Pole Specifications

Pole Base: Decorative Cast Aluminum ASTM 356.2 alloy manufactured by means of Gravity casting and Permanent Mold.

Pole Shaft: Straight Extruded Aluminum tubing, 6063-T6 alloy, either smooth or fluted patterned.

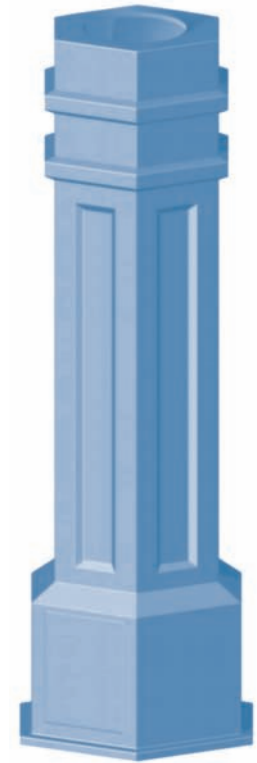
Tenon: Cast Aluminum ASTM 356.2 alloy manufactured by means of Gravity casting and Permanent Mold.



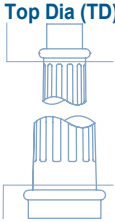
Grounding Provision: Standard built-in boss to accommodate grounding log.

Hardware: Stainless steel allen head fasteners

Anchor Bolts: 3/4" or 1" x 16" long steel, hot deep galvanized.

Finishing: Polyester powder coating, electro-statically applied and thermoset cured.



	SHAFT STYLE	CODE
	FLUTED EXTRUDED	FE
	SMOOTH EXTRUDED	SE
	CAST SHAFT - 8' TD= 3 3/8" BD= 4 9/16"	P8

[Check Accessories / Ordering Guide Page](#)

