

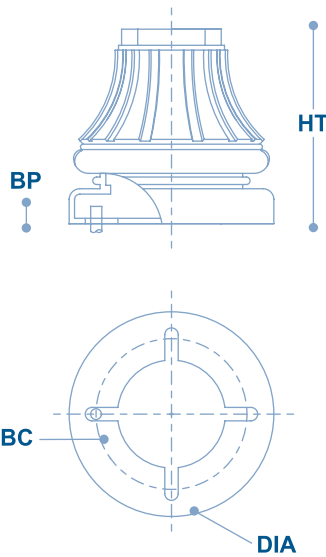
POLES

DECORATIVE ALUMINUM POSTS

Cap050

Base Dimensions & template

HT	Base Height	9"
DIA	Base Diameter	9-1/2"
BC	Bolt Circle	7"
BP	Bolt Project	13/16"



POLE HEIGHT	CODE
10 Ft	10
12 Ft	12
WALL THICKNESS	CODE
0.125"	A
0.188"	B
SHAFT DIAMETER	CODE
4 Inches	4

BASE STYLE	CODE	CP0
------------	------	-----

Pole Specifications

Pole Base: Decorative Cast Aluminum ASTM 356.2 alloy manufactured by means of Gravity casting and Permanent Mold.

Pole Shaft: Straight Extruded Aluminum tubing, 6063-T6 alloy, either smooth or fluted patterned.

Tenon: Cast Aluminum ASTM 356.2 alloy manufactured by means of Gravity casting and Permanent Mold.



Grounding Provision: Standard built-in boss to accommodate grounding log.

Hardware: Stainless steel allen head fasteners

Anchor Bolts: 3/4" or 1" x 16" long steel, hot deep galvanized.

Finishing: Polyester powder coating, electro-statically applied and thermoset cured.



SHAFT STYLE	CODE
	FLUTED EXTRUDED FE
	SMOOTH EXTRUDED SE
Check Accessories / Ordering Guide Page	

18 Ft

16 Ft

14 Ft

12 Ft

10 Ft

8 Ft

6 Ft

4 Ft

2 Ft



AMERICAN POLE
manufacturing company