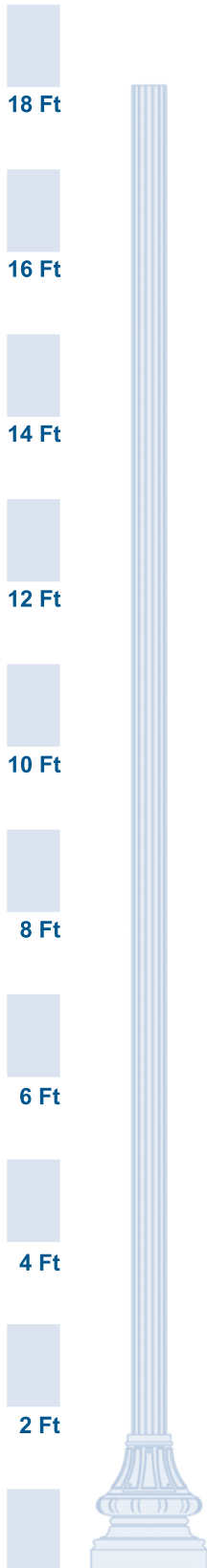


# POLES

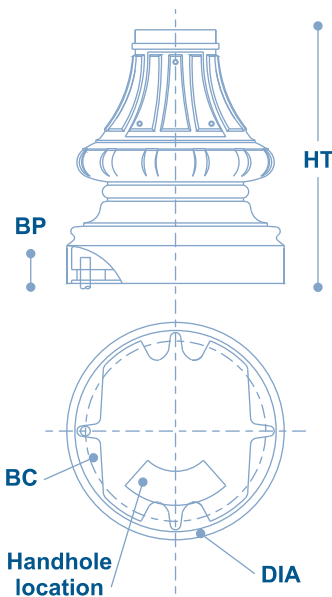
## DECORATIVE ALUMINUM POSTS

### Cap300



#### Base Dimensions & template

HT	Base Height	19-3/4"
DIA	Base Diameter	16-7/8"
BC	Bolt Circle	11"
BP	Bolt Project	1-7/8"



POLE HEIGHT	CODE
10 Ft	10
12 Ft	12
14 Ft	14
16 Ft	16
18 Ft	18
WALL THICKNESS	CODE
0.156"	B
0.250"	C
SHAFT DIAMETER	CODE
5 Inches	5
6 Inches	6

BASE STYLE	CODE	CP3
------------	------	-----

#### Pole Specifications

**Pole Base:** Decorative Cast Aluminum ASTM 356.2 alloy manufactured by means of Gravity casting and Permanent Mold.

**Pole Shaft:** Straight Extruded Aluminum tubing, 6063-T6 alloy, either smooth or fluted patterned.

**Tenon:** Cast Aluminum ASTM 356.2 alloy manufactured by means of Gravity casting and Permanent Mold.



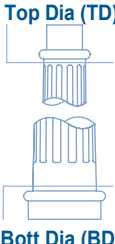
**Grounding Provision:** Standard built-in boss to accommodate grounding log.

**Hardware:** Stainless steel allen head fasteners

**Anchor Bolts:** 3/4" or 1" x 16" long steel, hot deep galvanized.

**Finishing:** Polyester powder coating, electro-statically applied and thermoset cured.



SHAFT STYLE	CODE
	FLUTED EXTRUDED FE
	SMOOTH EXTRUDED SE
 Top Dia (TD) Bott Dia (BD)	CAST SHAFT - 8' TD= 3 3/8" BD= 4 9/16" P8
	CAST SHAFT - 10' TD= 3 3/4" BD= 6 1/2" P10
	CAST SHAFT - 12' TD= 3 5/8" BD= 6" P12
<a href="#">Check Accessories / Ordering Guide Page</a>	

