

LUMINAIRES

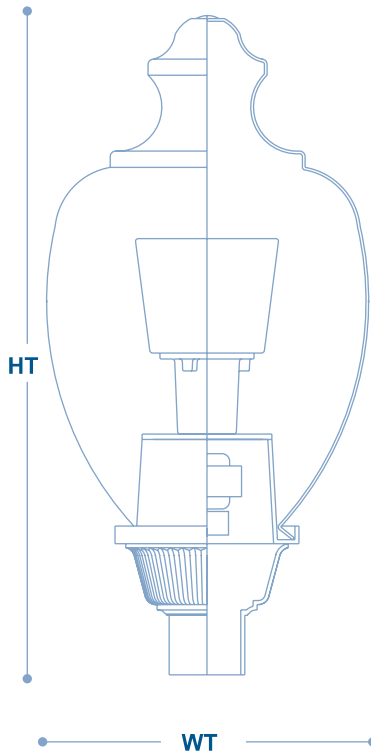
TRADITIONAL LIGHTING

FH2/GLOBE

LUMINAIRE STYLE CODE FH2G

Base Dimensions & template

HT	Height	30 7/16"
WT	Width	14 15/16"



LUMINAIRE SPECIFICATION

Shall be a permanent mold, ASTM 356.2 aluminum, gravity cast decorative base fitter, to accommodate a polycarbonate, acrylic or borosilicate glass frosted "acorn" shaped globe, with an optional internal prismatic refractor or an aluminum reflector to provide IES types II, III IV or V light distribution.

The Base Fitter is securely attached to the pole tenon, and features a ballast chamber that lodges a high power factor, low noise, -20° minimum starting temperature, optional fusing, HID ballast with optional photoelectric control receptacle or photocell bottom type. The ballast assembly also features a high impact porcelain medium or mogul base lamp-holder 4KV/ 600 V pulse rated.

Luminaire is sealed and gasketed to allow weatherproof operation.

All assembly fasteners and hardware are rust proof stainless steel and tamperproof.

Finish is an electrostatic applied, thermo set polyester powder coating, and UV stabilized.

All electrical components and lighting fixture shall be UL and/ or ETL listed, suitable for wet location.

Shown With
Cap200
Base

