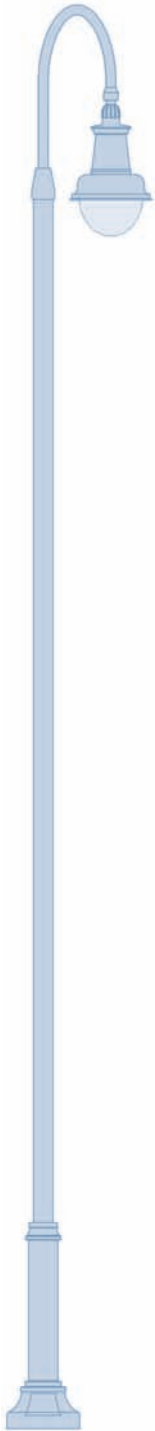


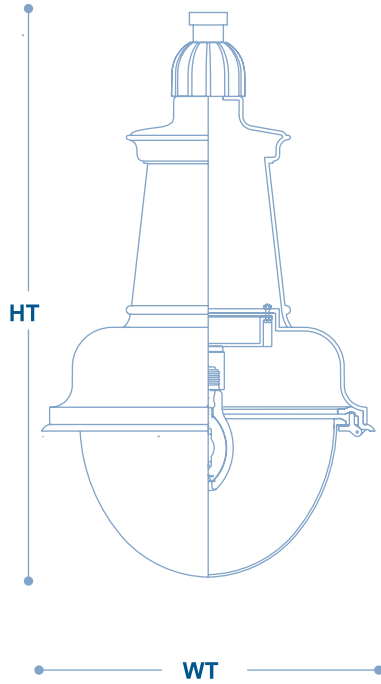
### Lum200

LUMINAIRE STYLE CODE LM02



#### Base Dimensions & template

HT	Height	27"
WT	Width	16 3/16"



#### LUMINAIRE SPECIFICATION

##### Housing:

Its design encompasses an upper cast aluminum dome, a central thorax designed to lodge the electrical assembly, and a lower cast aluminum shade to lodge the reflector system.

The housing shall be made of ASTM 356.2 aluminum, made in a permanent mold, and cast by a gravity process. The housing also features a built-in round tenon, a slip fitter arm to connect to a post.

##### Optical Assembly:

It has a semi-specular spun aluminum, parabolic reflector, for a vertically positioned lamp.

This reflector works as a complement to the prismatic ellipsoidal lower lens made injection molded, prismatic, UV stabilized clear polycarbonate, designed to perform a semi cut-off light diffusion with options of a symmetrical pattern as well as an asymmetrical type I.E.S. III distribution.

The assembly features a heat resistant porcelain lamp-holder, 600v/4 to 5 KV pulse rated, mounted to an aluminum bracket. The assembly shall be factory tested.

##### Electrical Assembly:

A high power factor ballast is designed to operate a HID up to 400 watt BT28 type lamp (by others), unitized, and integrally mounted to a cast aluminum tray by means of rust proof brackets and fasteners.

##### Enclosure:

Consists of a die cast aluminum lens holder frame sealed and gasketed closing to a built-in doorframe cast in the housing. The lens holder frame is hinged to the housing by a built-in pivoting system and a door latching rust proof mechanism.

All assembly fasteners and hardware are rust proof stainless steel and tamperproof.

Finish is an electrostatic applied, thermo set polyester powder coating, and UV stabilized.

All electrical components and lighting fixture shall be UL and/ or ETL listed, suitable for wet location.

Shown With  
Fulton  
Base

