

Lum300

Technical Specifications

Housing

Its design encompass an upper cast aluminum dome, a central thorax designed to lodge the electrical assembly, and a lower cast aluminum shade to lodge the reflector system. The housing shall be made of ASTM 356.2 aluminum, made in a permanent mold and cast by a gravity process. The housing also features a built-in round tenon a slip fitter arm to connect to a post.

Optical Assembly

It has a semi-specular hydroformed, vertically fluted parabolic reflector, for a vertically positioned lamp. This reflector works as a complement to the prismatic ellipsoidal lower lens made of UV stabilized clear polycarbonate, designed to perform a semi cut-off light diffusion with options of a symmetrical pattern as well as an asymmetric type I.E.S. III distribution.

The assembly features a heat resistant porcelain lampholder, 600V/4 to 5 KV pulse rated, mounted to an aluminum bracket. The assembly shall be factory tested.

Electrical Assembly

Shall be a high power factor ballast, designed to operate an optional 400 watt or 250 watt High Intensity Discharge lamp (by others), unitized and integrally mounted to cast aluminum tray by means of rust proof brackets and fasteners.

Enclosure

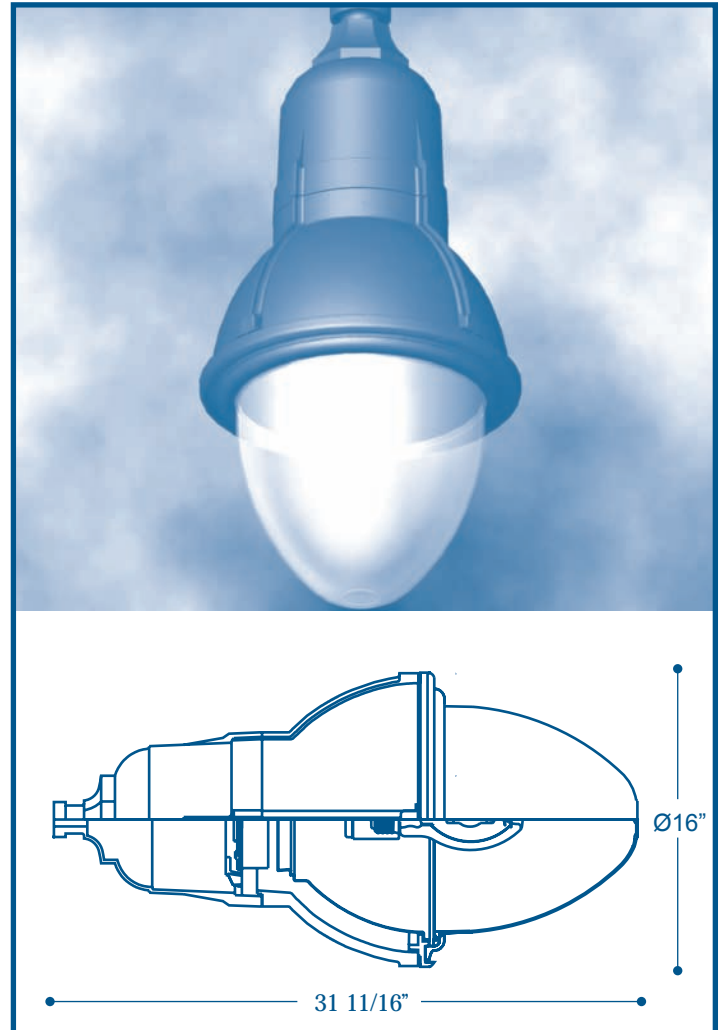
Shall be a die cast aluminum lens holder frame sealed and gasketed closing to a built-in door frame cast in the housing. The lens holder frame is hinged to the housing by means of a built-in pivoting system and a door latching rust proof mechanism.

The enclosure's lens is a U.V. stabilized clear polycarbonate prismatic globe.

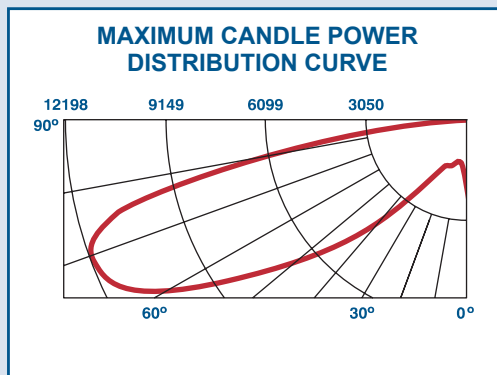
Mounting Bracket

Shall consist in a cast aluminum arm made of ASTM 356.2 aluminum welded and/or mechanically attached to the post. The arm features fluted lateral sides.

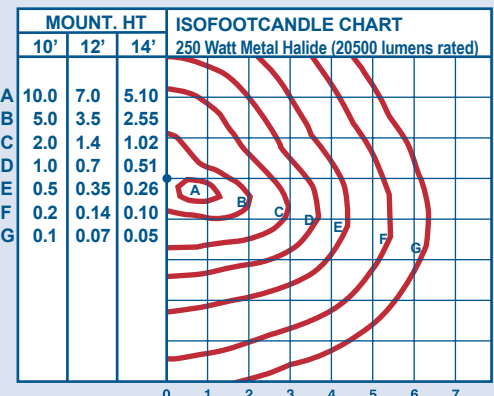
Both the luminaire and the electrical components shall be UL or ETL listed suitable for wet locations.



TYPE III DISTRIBUTION



Plane Through 75° Horizontal



Grid increments expressed in mounting height



AMERICAN POLE
manufacturing company