

# POLES

## DECORATIVE ALUMINUM POSTS

### Queens

18 Ft

16 Ft

14 Ft

12 Ft

10 Ft

8 Ft

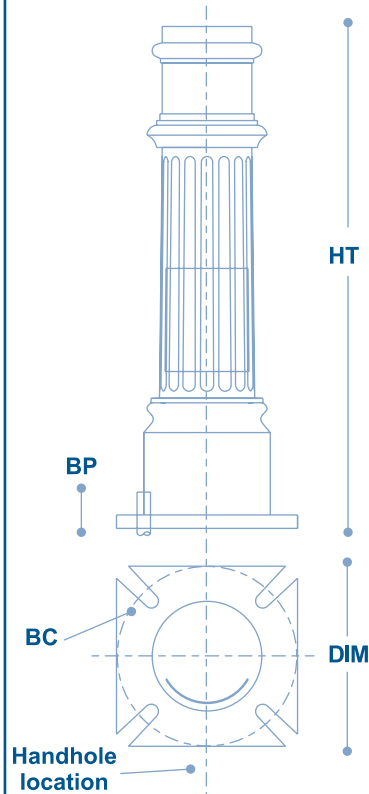
6 Ft

4 Ft

2 Ft

#### Base Dimensions & template

HT	Base Height	28"
DIM	Base Dimension	11"SQ
BC	Bolt Circle	10"
BP	Bolt Project	1-7/8"



POLE HEIGHT	CODE
10 Ft	10
12 Ft	12
14 Ft	14
WALL THICKNESS	CODE
0.125"	A
0.188"	B
SHAFT DIAMETER	CODE
4 Inches	4

BASE STYLE	CODE	QNS
------------	------	-----

#### Pole Specifications

**Pole Base:** Decorative Cast Aluminum ASTM 356.2 alloy manufactured by means of Gravity casting and Permanent Mold.

**Pole Shaft:** Straight Extruded Aluminum tubing, 6063-T6 alloy, either smooth or fluted patterned.

**Tenon:** Cast Aluminum ASTM 356.2 alloy manufactured by means of Gravity casting and Permanent Mold.



**Grounding Provision:** Standard built-in boss to accommodate grounding log.

**Hardware:** Stainless steel allen head fasteners

**Anchor Bolts:** 3/4" or 1" x 16" long steel, hot deep galvanized.

**Finishing:** Polyester powder coating, electro-statically applied and thermoset cured.



SHAFT STYLE	CODE
	FLUTED EXTRUDED FE
	SMOOTH EXTRUDED SE
<a href="#">Check Accessories / Ordering Guide Page</a>	

